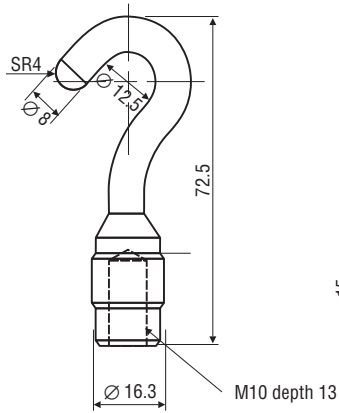
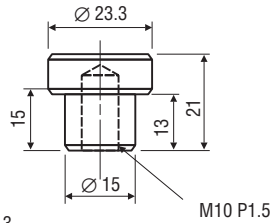


Standard Attachments

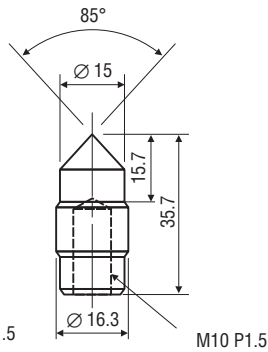
B Series (1100 lbf max.)



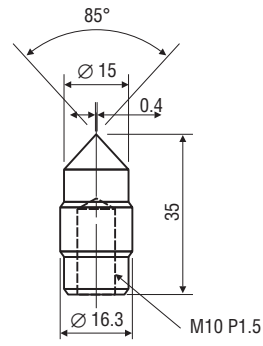
B-1 Small Hook (59g)



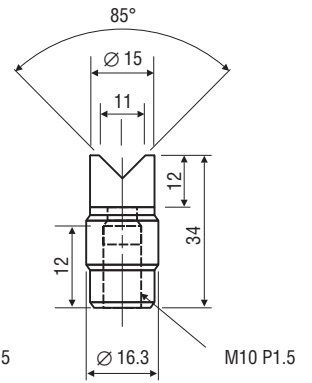
B-2 Flat Tip (29g)



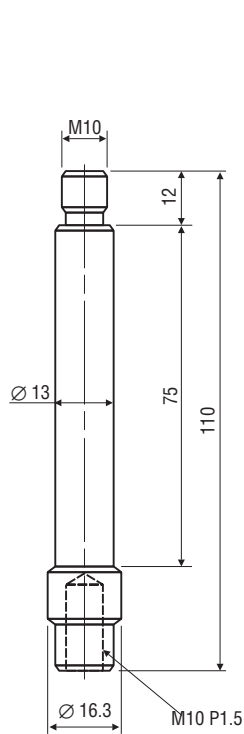
B-3 Conical Tip (33g)



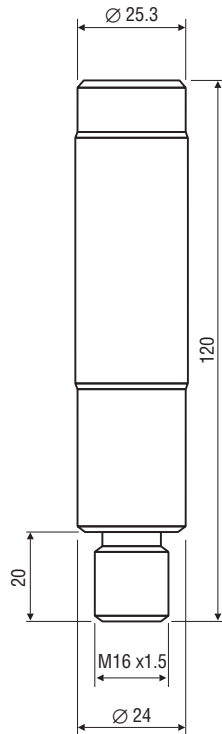
B-4 Chisel Tip (38g)



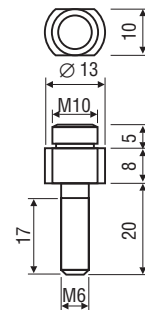
B-5 Notched Tip (38g)



B-6 Extension Shaft (102g)



B-7 Handle (102g)



B-8 Mounting Bolts