

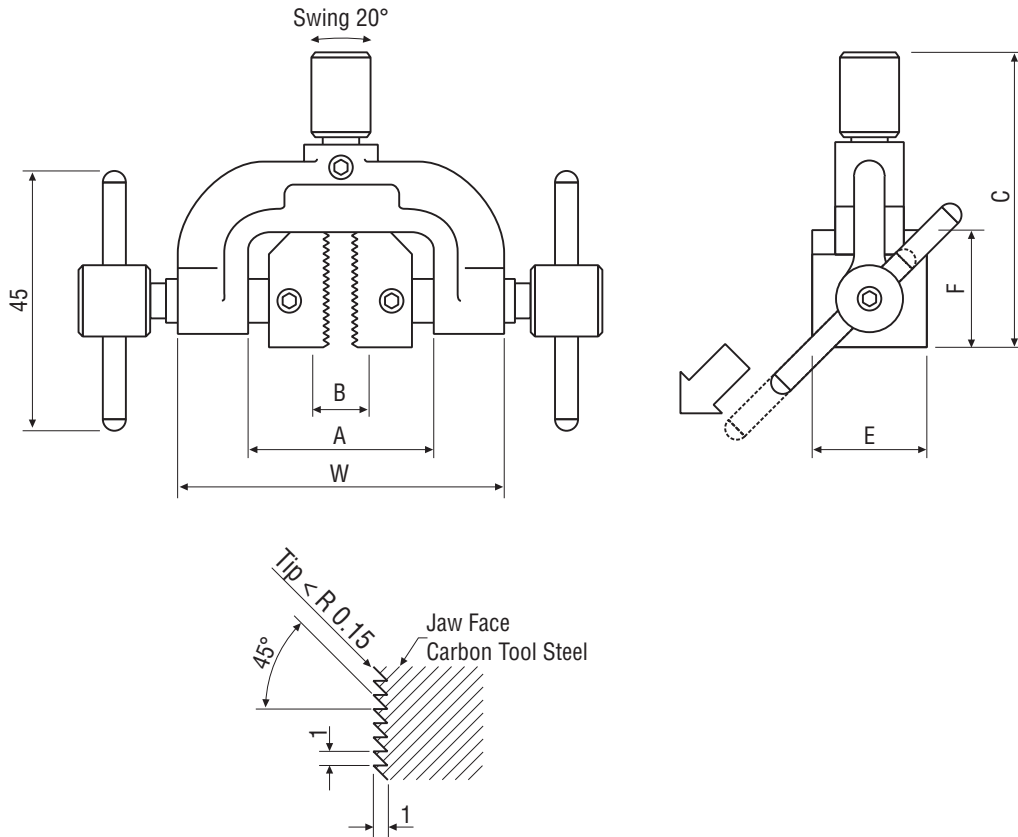


FORCE & TORQUE MEASUREMENT
 ISO 9001 REGISTERED
 ISO/IEC 17025 ACCREDITED

IMADA, Inc.®

3100 Dundee Rd., Suite 707, Northbrook, IL 60062-2442
 Tel: 847-562-0834 Fax: 847-562-0839
 www.imada.com E-mail: imada@imada.com

Models GC-1100, GC-1200, GC-5000



| Model | GC-1100 | GC-1200 | GC-5000 |
|----------------|----------------|----------------|--------------------|
| Type | Standard | Wide | High Capacity |
| Capacity | 1000N | 1000N | 5000N |
| Mounting Screw | M6x1 Depth 9mm | M6x1 Depth 9mm | M10x1.5 Depth 15mm |
| Weight | 160g | 170g | 1400g |
| Dimensions | 56x51x20mm | 66x51x20mm | 104x92x30mm |
| A | 20mm | 42mm | 64mm |
| B | Max 10mm | Max 20mm | Max 30mm |
| C | 51mm | 51mm | 92mm |
| E | 20mm | 20mm | 29mm |
| F | 20mm | 20mm | 37.5mm |