

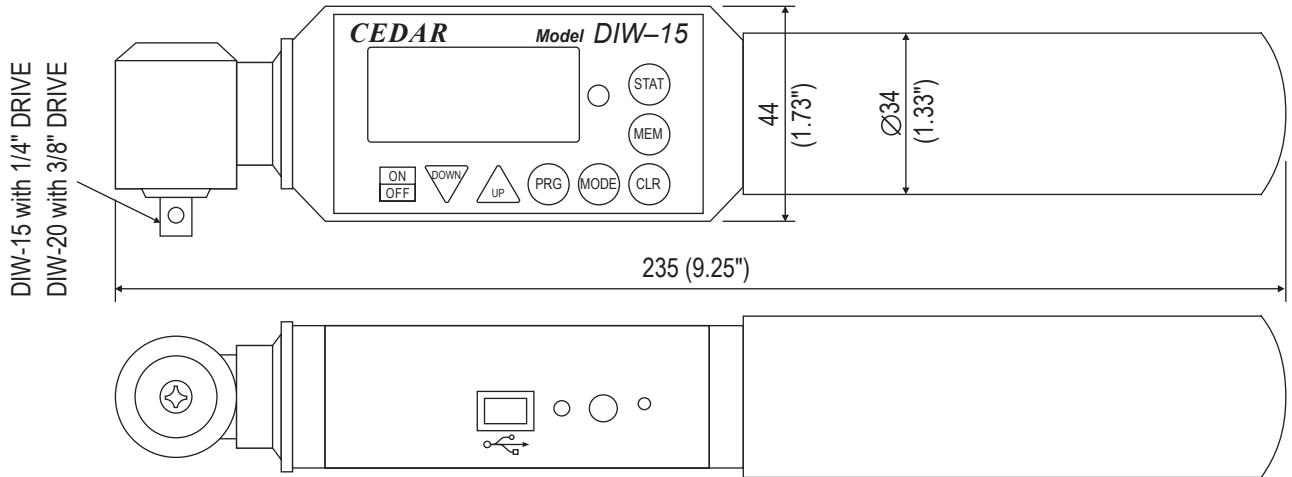


**FORCE & TORQUE MEASUREMENT**  
ISO 9001 REGISTERED  
ISO/IEC 17025 ACCREDITED

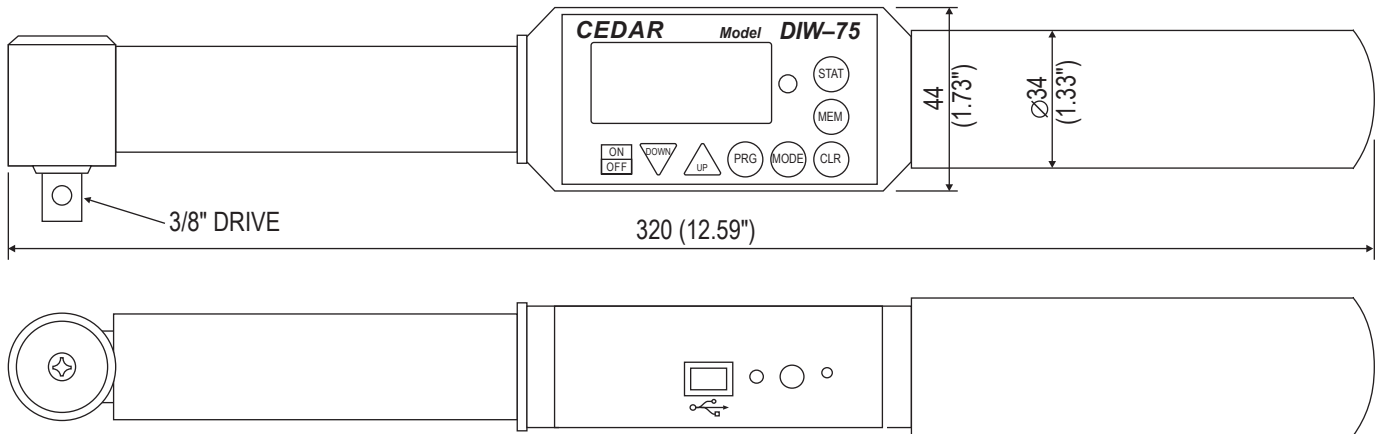
**IMADA, Incorporated**

3100 Dundee Rd., Suite 707, Northbrook, IL 60062-2442  
Tel: 847-562-0834 Fax: 847-562-0839  
www.imada.com E-mail: imada@imada.com

### DIW-15 / DIW-20



### DIW-75



### DIW-120

